



Read this instructions manual before using
the floor power trowel!



CONCRETE POWER TROWEL L030002



I G9 '5 B8 'A5 -BH9 B5 B7 9 'A5 BI 5 @

Isoplam s.r.l.

Building and road equipments

Address:

Via E.Mattei, 4

31010 Maser (TV) Italy

Phone 039 0423 925023

E-mail: info@isoplam.it

Web: www.isoplam.it

**CONCRETE POWER
TROWEL L030002**

Summary

- 1. General precautions**
- 2. Machine's presentation**
- 3. Machine's identification**
- 4. Instructions for the unpack of the machine**
- 5. Instructions for the machine installation**
- 6. Mounting and dismounting of the blades and smoothing plate**
- 7. Security working instructions**
- 8. Working**
- 9. Controls before starting**
- 10. Starter**
- 11. Instructions for use**
- 12. Stopping**
- 13. Maintenance**
- 14. Guide to the search of anomalies and remedies**
- 15. Transport**
- 16. Technical data**
- 17. Spare parts list**
- 18. CE European Conformity Declaration**

Introduction

Isoplam thanks to have purchased the L030002 Power Trowel. This manual must be considered an integral part of the machine and it must follow every stage of sale until the last user. Every machine is perfectly checked before it leaves the factory.

Warning! THIS SYMBOL WILL BE USED EVERY TIME THERE IS A PARTICULAR DANGER FOR THE USER.

Warning! TO READ CAREFULLY THIS USER MANUAL

This manual has been written in order to help the user for the correct use of the machine, to explain the safety norms in force in the European Community and to eliminate the possible risks for a wrong use.

This machine must be utilised only at the use for which has been designed and that is for the levelling and finishing of the concrete floors. Every other use is considered improper and dangerous.

Consequently the manufacturer not is responsible for possible damages at persons or at things coming from improper and wrong uses made on the same machine.

In addition, at these norms, please observe the safety instructions into force in the building sites and in the workshops.

The ISOPLAM S.r.l. can make any modifications or improvements to its products manufactured, without to inform the users in advance.

Warning! IT IS FORBIDDEN TO REPRODUCE ANY PART OF THIS USER MANUAL.

To contact our **Zone Dealer** more near to You or our **Assistance Service Department** for any questions or problems you need.

ISOPLAM S.R.L.

Via E.Mattei, 4 – 31010 Maser (TV) ITALY

tel. : 039 0423 925023

Email : info@isoplam.it

WEB: www.isoplam.it

Instructions for use the L030002 Power Trowel

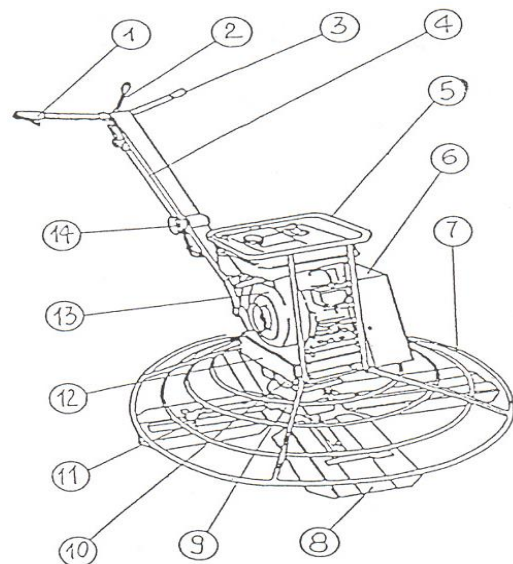
1. General precautions

- **Warning!** To move away the children from the job area. When the job is completed please to put the machine in a safe place.
- The Isoplam Trowels are started with gasoline, diesel and electric motors and they give the most safety if they are used according to the instructions. To read carefully this user manual before starting the machine. A misuse can cause damages to persons and the equipment.
- The buyer must entrust the use of this machine only to adults, who are both physically and mentally suitable. He must make sure that these persons are able to use correctly the machine.
- The Trowels can be started only if all performances and safety norms into force are observed.
- The persons who work with these machines must know all safety norms for the use.
- The use of this machine can expose the operator to a level of the superior noise to the 85 dB (A). In fact, the resonant power of this machine is equal to the 101 dB (A); whereas the emission level of sound pressure in the operator position is equal to the 101 dB (A). Consequently, the users who use this machine must use all protection accessory, as for example the crash helmet and stoppers for hearing (D.L. 9 April 2008 n°81).

2. Machine's presentation

- The ISOPLAM TROWEL is used to smooth the concrete backgrounds, prefabricated panels and for small and large industrial flooring.
- To use 4 floating blades to level the floor or the smoothing plate (only in the LS60 and L030002 versions).
- The finishing work can be started immediately after at job of levelling. In the winter, when the climate is damp or cold, it is necessary to increase waiting time for the finish smoothing.
- The essential controls have been put on the guide rudder for the user, so that the ISOPLAM TROWEL is very easy to manipulate. The excellent balancing allows without to strive the correct working.
- The rudder is adjustable to height, so that the operator can work in a more comfortable position or to facilitate the transport, reducing the encumbrance.
- The handle is part of the safety device, which when rearest will turn of the motor.
- The inclination of the four blades with the flooring surface is adjusted by a wheel that is situated at the centre of rudder.
- **THE MACHINE IS EQUIPPED OF THE FOLLOWING PARTS:** (see the picture 01)

1. Security lever;
2. Wheel or lever for blades adjustment;
3. Handle;
4. Guide rudder;
5. Motor guard;
6. Belts guard;
7. Finishing or combination blades;
8. Cruise;
9. Pivots for blades;
10. Floating blades;
11. Circle of protection;
12. Motor plate;
13. Recoil starter of the motor;
14. Wheel to regulate the guide rudder;



Picture 01

3. Machine`s Identification

All the necessary data to identify the machine are on the nameplate "A" (see the picture 02) situated on belts guard "B".

4. Instructions for the unpack of the machine

The accessories supplied to the buyer with the machine are the following:

N. 01 USER MANUAL, SPARE PARTS LIST AND EUROPEAN CONFORMITY DECLARATIONS.

N. 01 TESTS AND WARRANTY CERTIFICATES

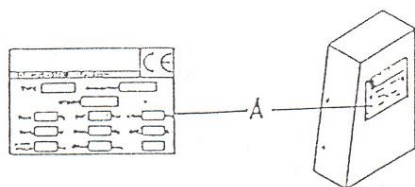
N. 01 PLASTIC ENVELOPE WITH N.17 KEY FOR THE MOUNTING AND DISMOUNTING OF THE BLADES

To execute with caution the outside packing elimination, so to avoid any damage to the machine, above all at the rubber pipes and at the electrical connections.

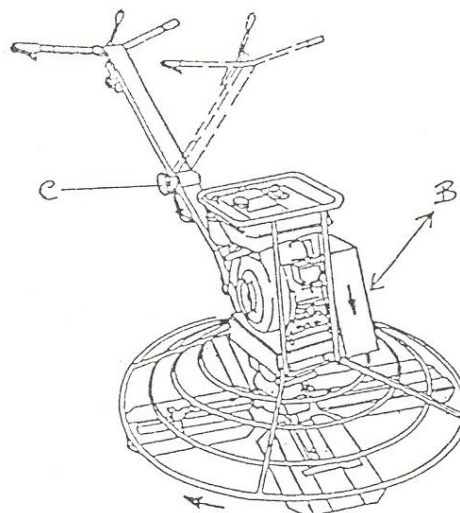
5. Instructions for the machine installation

- The machine arrives completely mounted; it is ready for the use.
- The ISOPLAM TROWEL is delivered to the buyer full of fuel in the motor and in the reduction gear, ready for the use.
- To loosen the joint wheel "C" (see the picture 03). To regulate the handle height and to tighten the wheel "C".

Picture 02



Picture 03



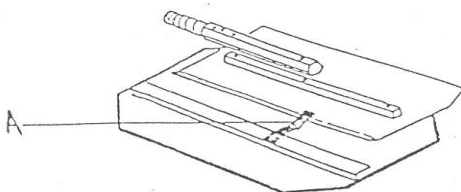
6. Mounting and dismantling blades and smoothing plate

- **Warning!** To manipulate carefully the blades to avoid damages and lesions. It is obligatory to use the protection gloves against cuts.
- To switch off the motor (to disconnect the socket from the electric system).
- **Warning!** To verify the springs connection "A" in the mounting of floating blades and of smoothing plate, to avoid damages to the user (see the picture 04).
- To loosen the tightening screws "B" with the proper key in the mounting of the finishing and of the combination blades (see the picture 05).
- To clean the blades pivots and the blades.

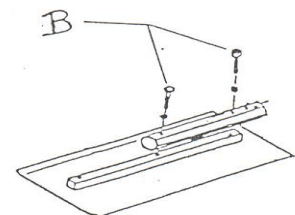
7. Security working instructions

- The work place must be perfectly in order without risks and well-lit.
- **Warning!** To remove the foreign persons from the neighbourhoods, before to begin the levelling work.
- To wear always all proper protections, which spectacles, leather gloves, close-fitting clothes, helmet and proper footwear to protect oneself against the sparks and splinters of materials during the work.
- In case of job in the places closed: like rooms, galleries, etc... To make sure that there is sufficient air for the health, because the exhaust gas contain the carbon monoxide (they can cause a consciousness leak and be mortal).
- It is forbidden the use of machine in the places exposed to the explosions or with dangerous products in the neighbourhoods.

Picture 04



Picture 05



8. Working

- To move backwards and forwards the machine at circular arches in the longitudinal direction of the floor.
- It recommend itself to keep away from the surface just worked, moving itself at small footprints.
- THE LEVELLING CAN BE MADE GENERALLY IN TWO PHASES:
 - The **FLOATING JOB**: it is the hand finishing with a wooden tool. It becomes a flat surface, without due irregularity to the concrete flowing.
 - The **FINISHING WORK**: it is the hand finishing with a metal tool. It becomes a perfect flat and uniform surface.
- With the machine complete of floating blades executes itself the FLOATING JOB. You can start when the concrete hardened, so that it is possible to walk over without leaving the too evident footprints. It is possible to make this operation with a good yield, using also smoothing plate.
- If it forms itself a concrete roll around at the diameter of the blades rotation, this means the working has been started too soon.
- To not stay long in the same place to not cause potholes of the machine.
- The FINISHING JOB follows the FLOATING JOB using only the finishing or the combination blades, it is possible to start the FINISHING JOB when from the concrete floor every humidity trace are disappearance. To obtain a good result in the cold or damp environments, it is necessary to increase the waiting time before to start the FINISHING JOB. To ascertain oneself the correct moment to begin the FINISHING JOB, it is sufficient to press the hand palm on the surface and start when it not sticks more to the skin. To have a good finishing it is necessary to make at least two passes. During the first passage, the blades must have a few degrees of inclination, to not make a too strong pressure on the surface. While the second passage must start at the latest possible, but before the concrete is hardened, naturally increasing also the blades inclination.
- The excellent results of the levelling operations much depend on the quality of the equipments and the ability of the user.

9. Controls before starting

SECTION FOR DIESEL AND GASOLINE MOTORS

- To read with attention the starting and motors maintenance instructions.
- To consider the environment of work place.
- To control the full of fuel.
- **Warning!** To make the refuelling with switched motor off and in a good windy environment.
- **Warning!** To not fill too much the fuel tank. To avoid dropping of the fuel, in particular the gasoline, during the refuelling on the motor hot parts and on the parts that can damage oneself.
- **Warning!** The gasoline is much inflammable and explosive in some conditions. To not smoke or to not leave the free flames or the sparks in the same place where the machine is refuelled. The vapours of the gasoline can to catch fire. If the gasoline is fallen, to make sure that the job place is perfectly dry, before to start the motor.

SECTION FOR ELECTRICAL MOTORS

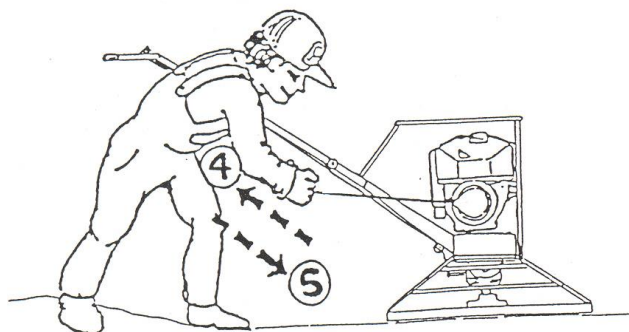
- **Warning!** To verify that the feed voltage of machine is in accordance with voltage of net (see the identity nameplate on section 3.0 of this user manual).
- **Warning!** It is obligatory to provide to the machine grounding.
- **Warning!** On all machines supplied with 400V electric motor, it is necessary to make sure the rotation direction is that indicated by arrow on the belts guard. In the contrary case it is absolutely forbidden the use of the machine; therefore to contact your trust dealer or our Assistance Service Department (tel. 039 0722 59290).
- The safety device doesn't allow the start of machine if this has stopped for sudden want of current.
- Join forces to the mains by a feed cable of suitable section 4x4mm² or 5x4mm² with maximum depth to 100m.
- The motor protection is insured to the magneto-thermal switch.
- To fill the water tank, but before to remember to close the faucet.

10. Starting

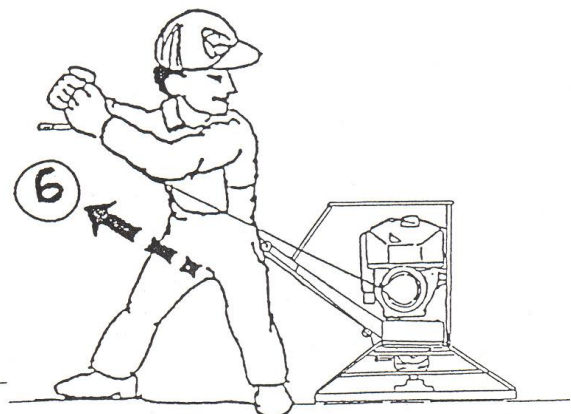
- **Warning!** To read with attention the instructions before starting.
- **Warning!** IT RECOMMEND ITSELF THE MAXIMUM ATTENTION. To remove the keys and the possible adjustment tools. To put always the guards. To jam the advancing wheel with the proper hook.
- To read and to follow the instructions on the user manual for the diesel and gasoline motors starting. Therefore to continue as follows:
 1. – To turn on the fuel faucet;
 2. – To adjust the STARTER in the ignition position;
 3. – To keep the pulled lever that is at left side of the rudder (stop device for the motor when it leaves itself the handle that will never permit the motor starting in lowered position (this system is usually called “*dead man*”));
 4. – To slowly pull the rope starting until to find the compression resistance, to continue to slowly pull until to just pass it (see the picture 06);
 5. – To release the rope wrapping it up again (see the picture 06);
 6. – Therefore to pull with force (see the picture 07);

IF THE MOTOR FAILS TO START, TO REPEAT ALL OPERATIONS FROM 4 POINT

- The Starter with the electric motor happens pressing the handle lever. To stop the machine is sufficient to leave the lever. All machines equipped with electric motor have the low voltage system.
- To use the maximum warning on the blades and plate rotation during the motor starting or pauses and during the job of floor smoothing.



Picture 06



Picture 07

11. Directions

- To keep pressing the lever of safety device.
- To hold strong the handle and to keep a correct position during the smoothing working (see the picture 08).
- The TROWEL is equipped with centrifugal clutch to transmit gradually the power to the blades; with the motor at minimum, the four blades stay stationary, accelerating gradually those put themselves in rotation until to reach the desired working speed.
- To work advance happens very simply. It is sufficient to raise or to lower just the handle to drive the machine in the desired direction.
- **Warning!** The user not must leave the machine and its controls during the working.
- The user must switch off the motor in case it must leave the machine; moreover, it must to put it in a safe place to avoid due damages at the sudden movements or possible overturning of the machine.



Picture 08

12. Stopping

- To reduce the motor idling before to stop it, letting after the lever of safety device.
- To stop the motor, as indicated on the instructions of its user manual.

13. Maintenance

- **Warning!** It is obligatory to switch off the motor (in the electric system to turn off also the socket).
- To lubricate on base of the use frequency, both the blades pivots and the blades adjusting screw.
- To clean and to keep in perfect conditions the used tools.
- When the machine is not used, it recommend itself to clean the same machine and the blades from concrete residuals and to position it in a safe place out accessible of the children.
- To verify periodically the tightening bolts.
- The possible repairs exclusively must be made by technical skilled staff.
- An use not corrected, not original spare parts and modifications not authorised exclude the manufacturer from every responsibility and guarantees.
- **Warranty!** It is obligatory to do of tests on the machine at least one time every years by your trust dealer or by our Assistance Service Department for to keep stable the same security level and working of the machine in the time.
- Every days before to start a job, the user must verify the efficacy of the safety devices and controls.
- Every days, before to begin the cut must control the belts voltage. If it is necessary, must stretch again the belts with moderation (to loosen 4 tightening nuts of motor, to act on the belts, making attention to keep the ranged motor, until to get a correct voltage; so to stop again).
- Every day to verify the motor oil; to replace oil like recommended from manufacturer (see the user manual on this subject).

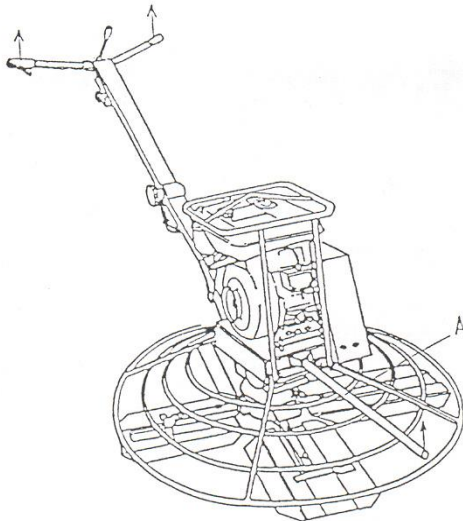
14. Guide to the search of anomalies and remedies

- **Warranty!** Before to make any type of operation, to switch the motor off (diesel and gasoline system), or to disconnect the removing the socket (electric system).
- In case of the sudden stop of the machine during the working, to verify :
 - The belts voltage (they could be slack)
 - The fuel's level (diesel or gasoline)
 - Presence of voltage of net (electric)
 - Speed too much elevated of advance
- If the motor not starts (diesel or gasoline), to verify the fuel on its fuel tank.
- To verify and to clean the air filter, possibly to change it.
- To verify and to clean the fuel filter, possibly to change it.
- To verify the oil level, possibly to fill.
- To clean the sparking plug in the gasoline system, to verify the distance between the electrodes (0.7mm).
- In the electric system if the motor doesn't start, to control the feed cable. If the thermal of the switch jumps, to verify if the feed cable is of the adequate section and if the proper power is sufficient for the electric motor installed on the machine.

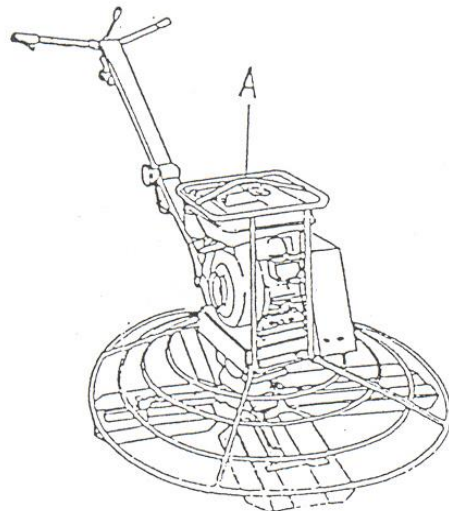
15. Transport

- **Warranty!** Before to make any type of movement, to switch off the motor (gasoline or diesel) or disconnect the machine removing the socket (electric system).
- **Warranty!** In case of lifting, to use only the point "A" of hooking (see the picture 09).
- **Warranty!** The machine is moved manually of weight by two persons for the movements in the building site, using the handle and the proper pipe "B" to facilitate the same movements (see the picture 10).
- To put the machine correctly on the means of transport, to avoid that it can tip over or sliding.

Picture 09



Picture 10



16. Technical data

- SPECIFICATIONS:

Type	Motor	Power KW	Weight Kg.
L030002	PETROL KOHLER CH270	5.2	81
L030002	PETROL HONDA GX160	4.0	78
L030002	PETROL ROBIN SUBARU EX17	4.4	80
L030002	DIESEL LOMBARDINI 15LD225	3.5	100
L030002	ELECTRIC 1PHASE 230V-50Hz	2.2	88
L030002	ELECTRIC 3PHASE 400V-50Hz 2 speed	1.85 / 2.4	96

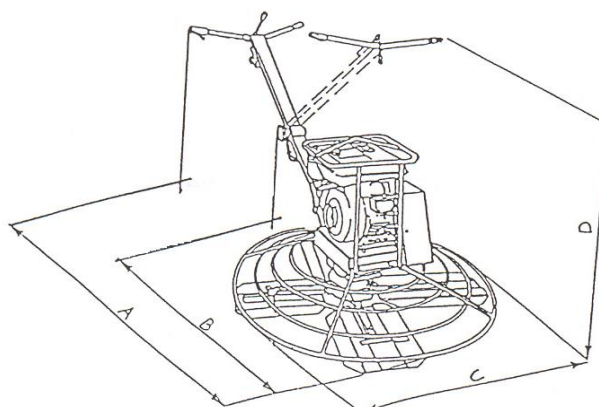
- OUTSIDE CIRCLE DIAMETER Ø 920mm
- BLADES ROTATION DIAMETER Ø 900mm
- BLADES ROTATION SPEED 50÷110 rpm
- STANDARD ACCESSORY: 4 FINISHING OR COMBINATION BLADES (at choice)

MEASURES: (see the picture 11)

	A	B	C	D
<u>L030002</u>	1.800	x	920	x
			800	x
			<u>1.020</u>	

17. Spare parts list

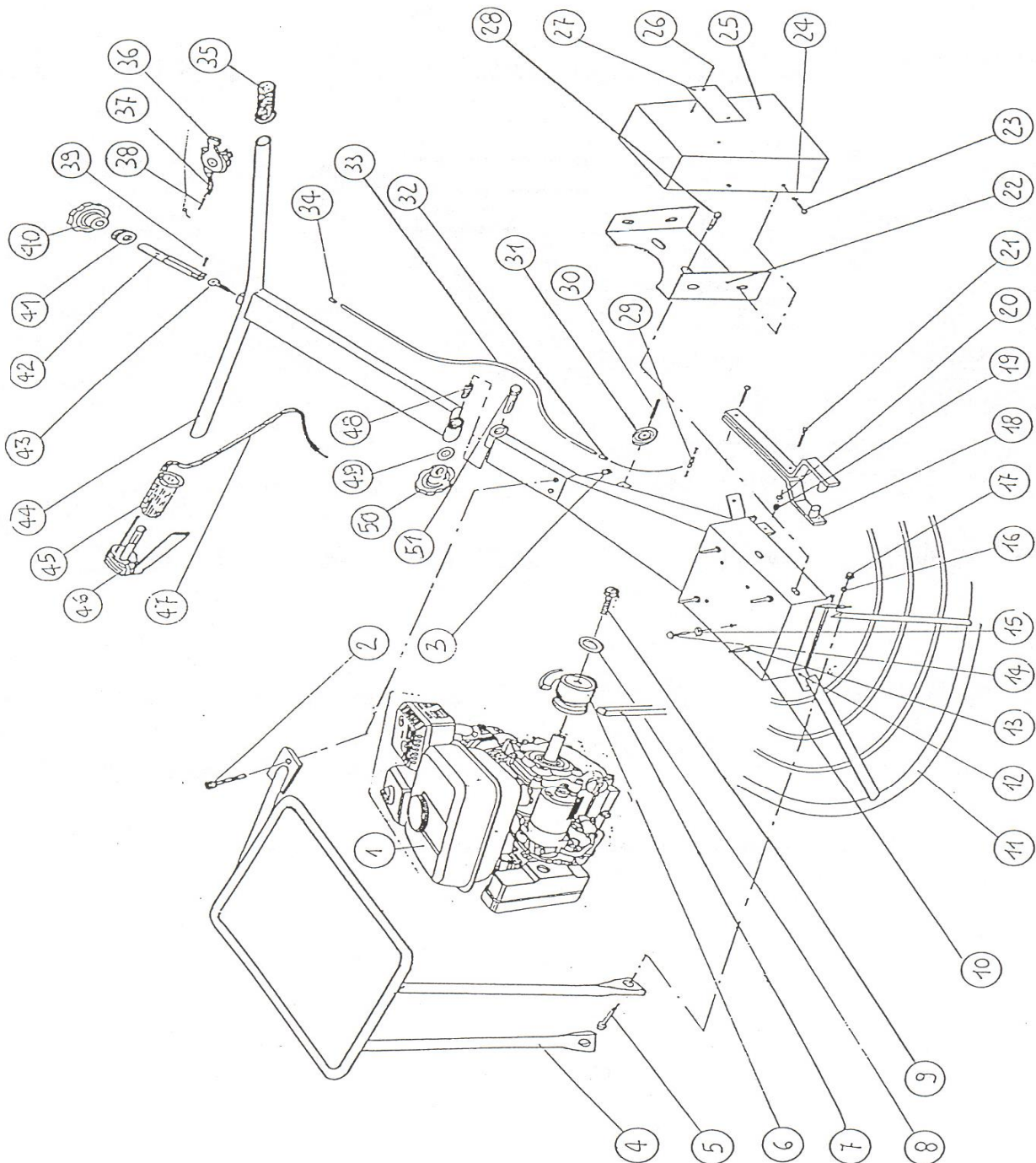
For every request of spare parts is necessary to write the serial number of machine and the reference code of the spare part desired. The reference code of the spare parts is reported on the list attached; every number indicated on the picture table corresponds at a part of the machine. It is necessary to report the same denomination written on this list, to avoid some possible mistakes.



Picture 11

Trowel

Mechanical rudder



Mechanical Rudder

Page from 1 to 2

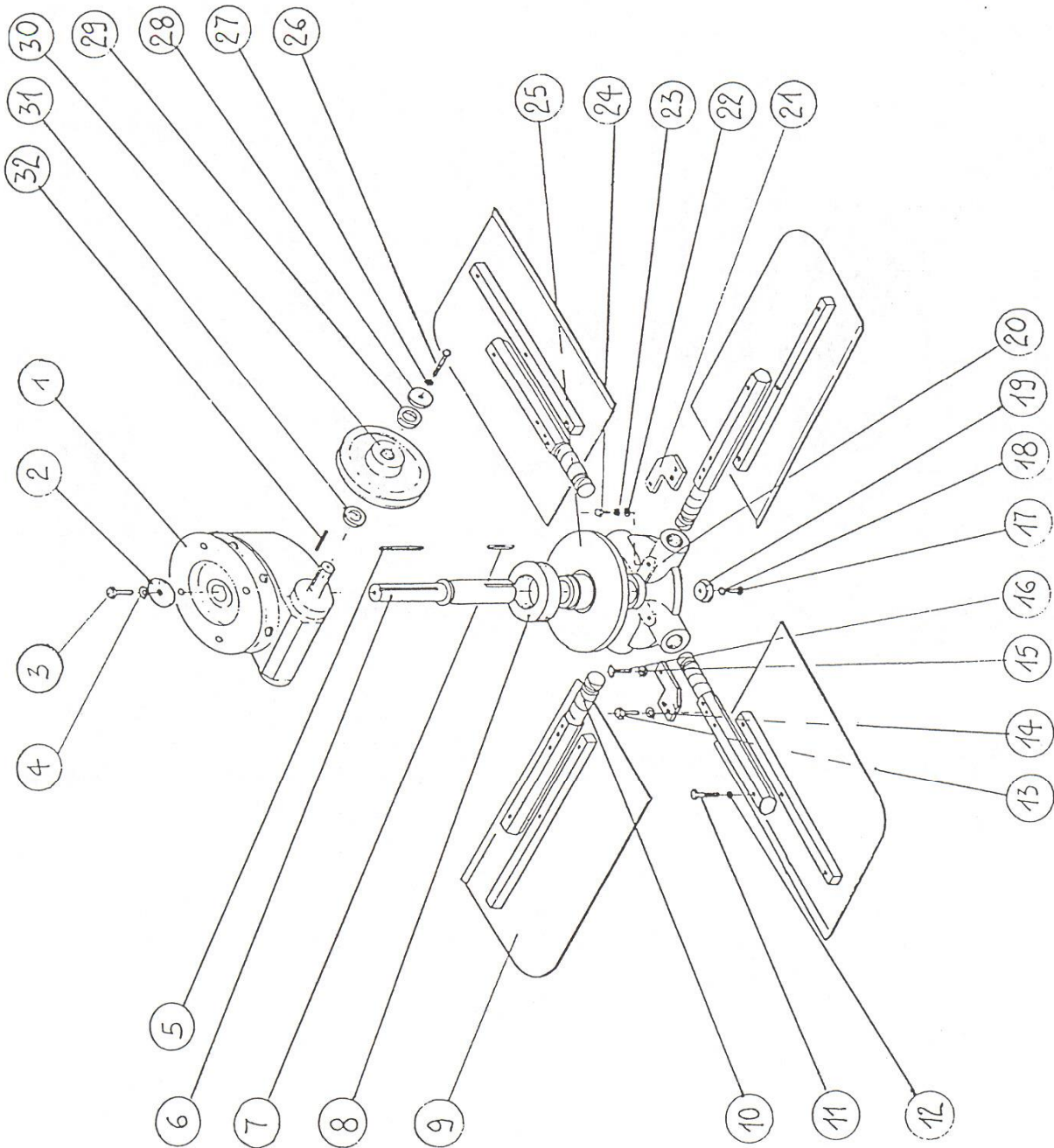
ITEM	CODE	N°	DESCRIPTION
1	DEPENDS TYPE OF	1	PETROL OR ELECTRIC MOTOR
2	MOTOR	2	ZINC PLATED SCREWW T.C.E.I. M6X50
3	3002A018	2	LOCK-NUT M 6
4	3015A007	1	MOTOR PROTECTION
5	1338A008	4	ZINC PLATED SCREW T.E. M 8X35
6	3001A009	1	CENTRIFUGAL PULLEY
7	6001A007	1	BELT A 29
8	2701A007	1	ZINC PLATED WASHER M 6X30X4
9	3019A010	1	ZINC PLATED NUT M 6
10	3015A007	1	MECHANICAL RUDDER
11	1601A021	1	CIRCLE'S PROTECTION
12	1302A020	2	FIXING BRACKET FOR CIRCLE
13	1205A076-81	8	ZINC PLATED AND LOW NUT M 8
14	3015A008	4	BURNISHED SCREW T.E. M 12X35
15	3001A082	4	LOCK-WASHER D.12
16	3015A002	4	ZINC PLATED AND LEVEL WASHER D. 8X17X1.6
17	3019A008	4	ZINC PLATED AND LOW NUT M 8
18	3015A008	1	FORK
19	1324A002	2	ZINC PLATED AND LOW NUT M 8
20	3015A008	2	ZINC PLATED LEVEL WASHER D.8
21	3019A003	2	BURNISHED SCREW T.E. M8X20
22	3001A002	1	FIXING BRACKET FOR PROTECTION
23	1305A074	4	ZINC PLATED SCREW T.E. M8X16
24	3001A045	4	ZINC PLATED AND LEVEL WASHER D.8
25	3019A003	1	CARTER TO COVER BELTS
26	1308A010	2	RIVET IN ALLUMINIUM METAL
27	3003A001	1	IDENTIFICATION NAMEPLATE
28	0923A001	2	BURNISHED SCREW T.E. M8X20
29	3001A002	1	CLAMP
	2017A001		

Mechanical Rudder**Page from 2 to 2**

ITEM	CODE	N°	DESCRIPTION
30	3023A008	1	ELASTIC PLUG D.6X30
31	0722A019	1	PULLEY
32	2022A001	1	ENDS-SHEATH D. 8
33	2020A002	1	SHEATH'S PROTECTION
34	2022A001	1	ENDS-SHEATH D. 8
35	2023A004	1	CLOSED HANDLE D.25
36	2023A001	1	ACCELERATOR HANDLE
37	2020A001	1	SHEATH'S PROTECTION
38	2024A007	1	ACCELERATOR PIPE
39	3023A009	1	ELASTIC PLUG
40	2002A020	1	HAND-WHEEL D.90 M16 (LOOPING HOLE)
41	2901A001	1	BEARING 51103
42	0814A001	1	SCREW TO ADJUSTING BLADES
43	2024A004	1	STEEL CABLE TO ADJUSTING BLADES
44	2023A007	1	HANDLE
45	2023A007	1	OPENED HANDLE D.25 (WITH DOSSIER)
46	2023A007	1	COMPLETE SAFETY DEVICE FOR PETROL MOTOR
47	2023A007	1	ELECTRIC WIRE L=2700+SHORT RUBBER WASHER
48	2801A001	1	SPRING
49	3019A010	1	ZINC PLATED WASHER D.16
50	2002A020	1	HAND-WHEEL D.90 M16
51	3001A106	1	BURNISHED SCREW T.E. M16X110

Trowel

Mechanical cruise

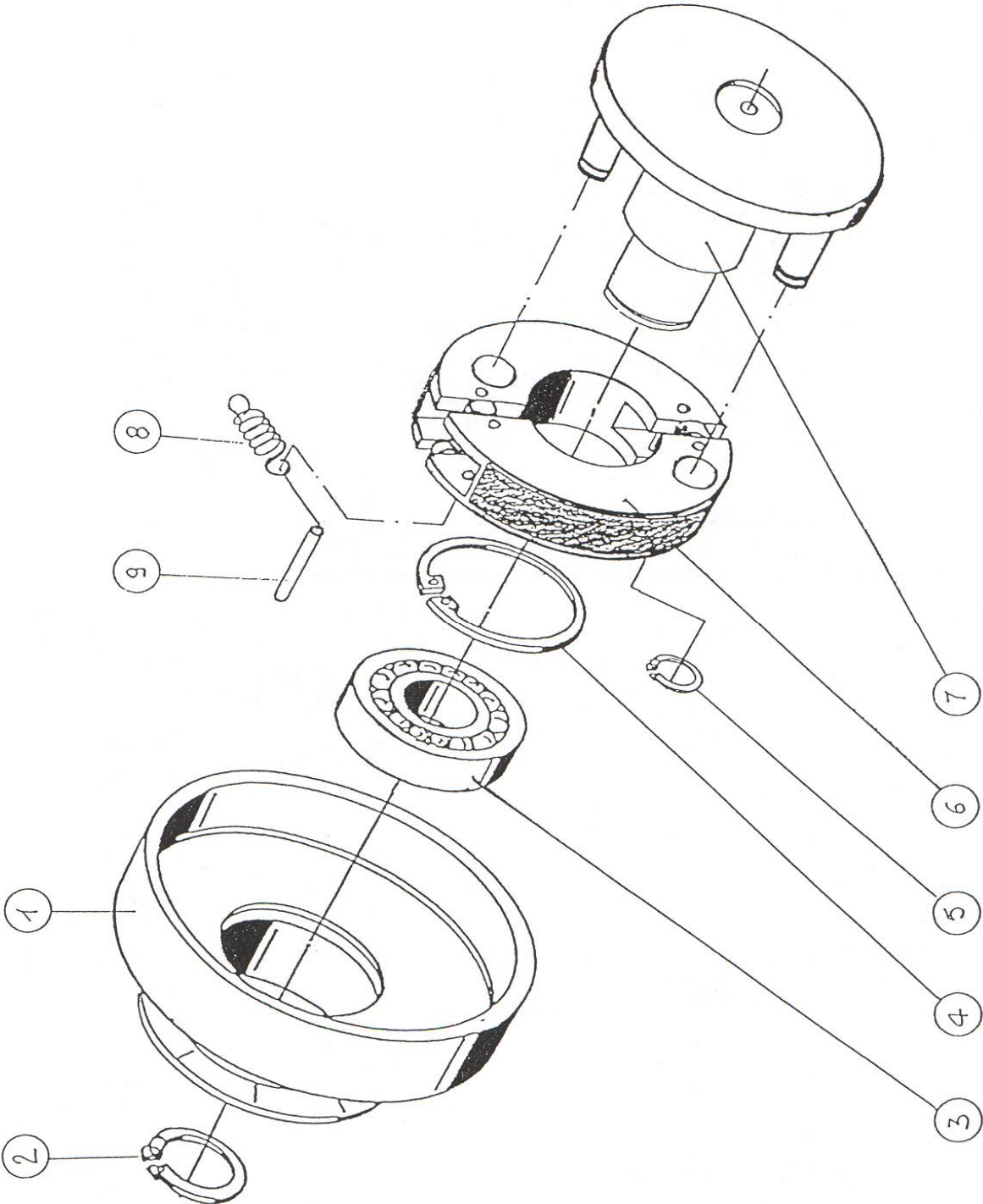


ITEM	CODE	N°	DESCRIPTION
1	2007A003	1	REDUCTION GEAR
2	3020A004	1	LOWER WASHER
3	3001A062	1	BURNISHED SCREW T.E. M 10X30
4	3019A017	1	ZINC PLATED AND TOOTHED WASHER D. 10.5X30X5
5	3025A012	1	SHAFT-REDUCTION GEAR SMALL KEY 10X8X40
6	0820A031	1	PRINCIPAL SHAFT
7	3025A004	1	SHAFT-REDUCTION GEAR SMALL KEY 8X7X70
8	2901A010	1	ARMOURED BEARING CR 1300
9	020309-11	4	COMBINED OR FINSHING BLADE
10	0805A013	4	BLADES-HOLDER ARM
11	3001A014	4	ZINC PLATED SCREW T.E. M 8X40
12	3019A003	4	LEVEL WASHER D. 8
13	3001A062	8	BURNISHED SCREW T.E. M 10X30
14	3020A004	8	LOCK-WASHER D.10
15	3029A005	4	LOW NUT M 10
16	3030A002	4	SCREW T.T.D.E.I. M 10X30
17	3001A062	1	ZINC PLATED SCREW T.E. M10X30
18	3019A007	1	ZINC PLATED AND TOOTHED WASHER D. 10.5X30X5
19	3019A004	1	LOWER WASHER
20	2601A002	4	GREASER
21	1601A061	4	CRUISE
22	0804A003	4	TOURNED SCREW T.E. M 10X16
23	3019A004	4	LEVEL WASHER D.10
24	3020A004	4	LOCK-WASHER D.10
25	1224A004	1	PLATE OF ARTICULATION
26	0717A003	1	PLATE
27	3019A007	1	ZINC PLATED SCREW T.E. M 60X20
28	3015A007	1	LOCK-WASHER D.6
29	3019A010	1	WASHER D. 6X30X4

ITEM	CODE	N°	DESCRIPTION
30	2122A004	1	DETACHER
31	0722A013	1	PULLEY D.130XA1
32	2122A004	1	DETACHER
33	3025A009	1	PULLEY-REDUCTION GEAR SMALL KEY

Trowel

Centrifugal clutch



Centrifugal Clutch

Page from 1 to 1

ITEM	CODE	N°	DESCRIPTION
1	0122002	1	BELL-BOTTOMED D.92x1A
2	3029001	1	SEEGER EST. D.35
3	2901003	1	BEARING 6007 2RS
4	3029004	1	SEEGER INT. D.62
5	3029005	2	SEEGER EST. D.10
6	1601002	2	JAW WITH BRAKE LINING
7	1601004	1	CUT-OFF TO CARRY JAW
8	2802001	2	SPRING TO TRACTION
9	0820002	4	PIVOT TO CARRY SPRING

CE CONFORMITY DECLARATION

Conformity Declaration CE

Conforms to the II A Attached, of the 2006/42 CE Directive
Conforms to the II Attached, of the 2000/14 CE Directive

The **ISOPLAM S.r.l.** company

With legal head office in E.Mattei, 4 31010 Coste di Maser (TV) Italy

DECLARES

Under its exclusive responsibility

That the machine

CONCRETE POWER TROWEL

Type

L030002

Serial number N.

It is according with the conditions foreseen from the directives (and further modifications)

2006 / 42 / CE

Concerning the rapprochement of the legislations of the member States relative to the machines.

2014 / 30 / CE

Concerning the rapprochement of the legislations of the member States relative to the electro-magnetic compatibility.

2014 / 35 / CE

Concerning the rapprochement of the legislations of the member States relative to the electric material assigned to be used within some limits of voltage.

2000 / 14 / CE

Ambient acoustic emission of machines and equipment for the open work.

Level of sonorous powering of measured similar machine: 101 dBA
Level of sonorous guaranteed powering for the equipment: 101 dBA
(D.Lgs. n.262/2002)

Urbino,

Signature
The Representative Legal

PROHIBITION OF PUTTING IN SERVICE

It cannot be put in service, after to have undergone the constructive modifications or integrations of other components not falling within the ordinary or extraordinary maintenance, without that it is still declared according to the requirements of the directives: 2006/42/CE, 2014/30/CE, 2014/35/CE and 2000/14/CE to other directives of reference and to the norms in force.

Date,

The Owner

SECURITY NORMS

The machine has been realized in according with the security norms under indicated:

UNI EN ISO 12100-1	Security of the machinery - Fundamental concepts, general principles of planning. . (Part 1: Terminology of base, methodology).
UNI EN ISO 12100-2	Security of the machinery - Fundamental concepts, general principles of planning. . (Part 2: Technical principles).
UNI EN ISO 13857:2008	Security of the machinery . Distance of security to prevent the achieving of dangerous areas with superior limbs.
UNI EN 953:2009	Security of the machinery . Shelters . general requirements for the planning and the building of fixed and movable shelters.
CEI EN 60204-1	Security of the machinery . Electric equipment of machines (Part I: general Norms)

Conformity Declaration of the European Norms

ENCLOSURE: List of the security essential requirements which the machine is accordance

The machine is accordance with all security requirements estimated and listed as follows:

- 01 GENERAL PRECAUTIONS: Improper use of the machine; user position; materials and products; Illumination.
- 02 TRANSPORT: The machine planning in order to the transport.
- 03 INSTALLATION: Security and dependability; control devices; starting; stop devices; failure of the circuit of energy power unit; due risks at extreme temperatures; due risks at the noise..
- 04 MECHANICAL: Stability; break risks during the working; due risks of objects protection; due risks to surfaces, edges and angles; due risks at the vibrations; due risks at the accidents and explosions; due risks to the noise.
- 05 PROTECTIONS: General requirements; risks of the fixed protections; risks of duration.
- 06 THE ENERGY SOURCES: Due risks at energy type.
- 07 MAINTENANCE AND MOUNTING: Due risks to the mounting mistakes; machine maintenance; user intervention.
- 08 POWDERS AND GAS EMISSIONS: Due risks to the powders or gas emission.
- 09 CONTROL PLACE: Limits to the machine use; due risk to the visibility; risk to stay trapped in the machine.
- 10 RISKS AND RESIDUALS: Signalling and warning on the user manual; use of suitable nameplates and adhesives.

The lacking necessary security requirements that are listed in the Norm 2006/42/CE - Enclosure 1, aren't connected with constructive and functional principles of this machine.

ISOPLAM S.r.l.
Via E. Mattei, 4 31010 MASER (TV) ITALY Tel.
Export: 039 0423 925023
WEB site: www.isoplam.it e-Mails: info@isoplam.it