

# CONSTRUCTION JOINT

## DESCRIPTION

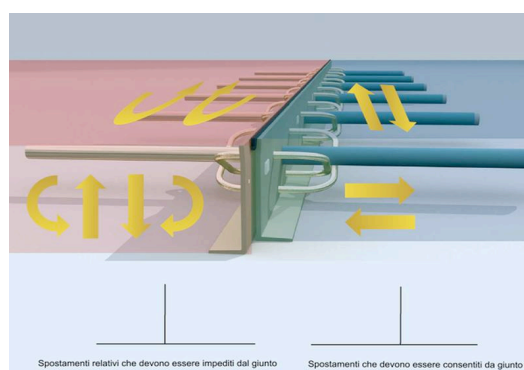
Isoplam® Construction Joint is a prefabricated control joint made of two bars and put together in which dowel bars are inserted plumb. It is a high resistance element to join concrete flooring portions made in different period of time. It is widely used for industrial floors, both indoor and outdoor, and its aim is to reduce vertical and rotating movements of two adjacent flooring portions that, otherwise, would cause a non-flatness of the surface with a consequent deterioration of borders caused by heavy machine movement.

Isoplam® Construction Joint transfers the stress caused by the traffic and the horizontal sliding of concrete slabs, respecting their natural deformation of the slabs caused by the plastic shrinkage and by the thermal changes.

Isoplam® Construction Joint can be used also as a formwork of full containment. This prevents possible concrete residues of partial formworks that cause cracks on the surface. The physical shape of this joint facilitates the application of the bars and the correct positioning of the steel reinforcement.

## FUNCTIONING

The positioning of Isoplam® Construction Joint and of the bars supports the horizontal movement of the slabs: while the castings of concrete get dry, the caps that join the two sheets break, allowing thus the hooking in the castings; the bar's joint filler allows it to move and to flow, facilitating the shrinkage movements and dilatation of the slabs.

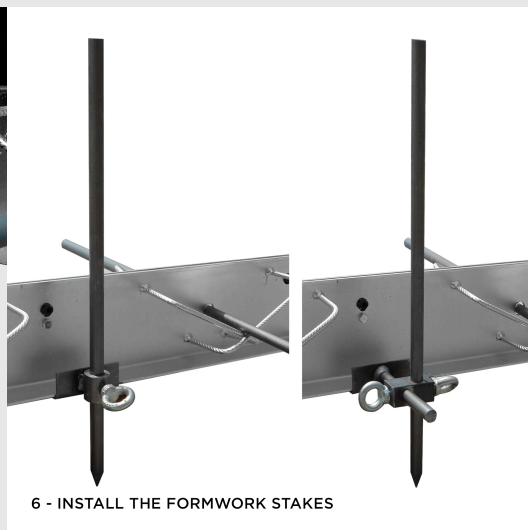
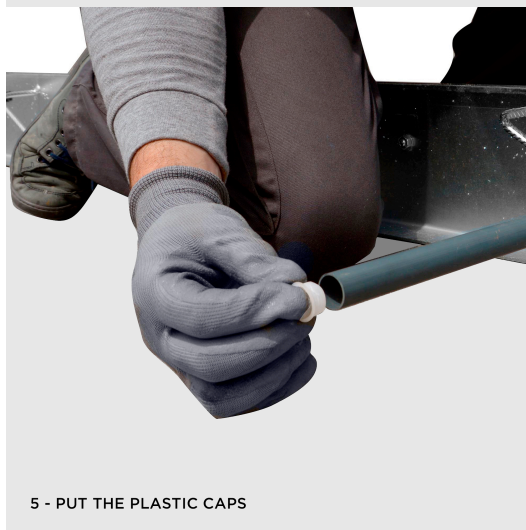
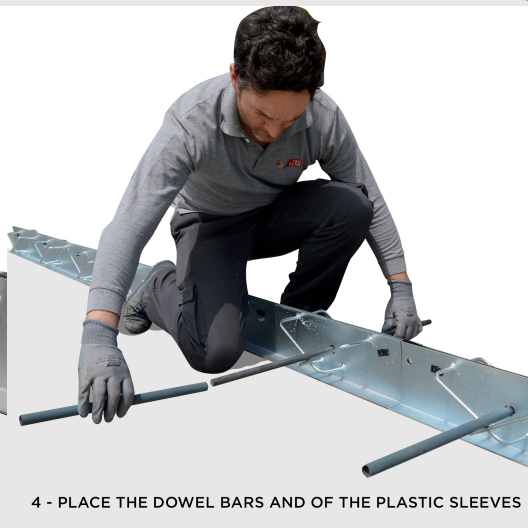
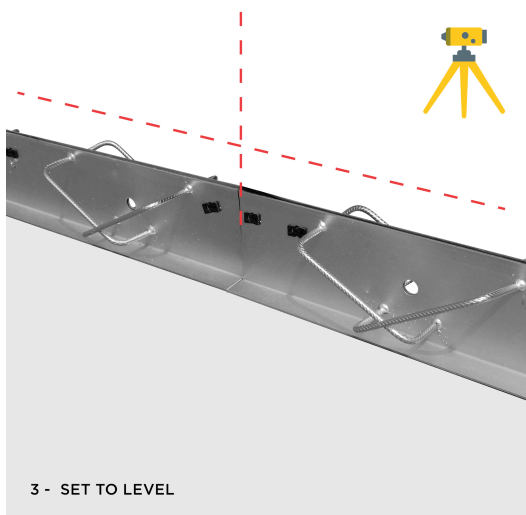
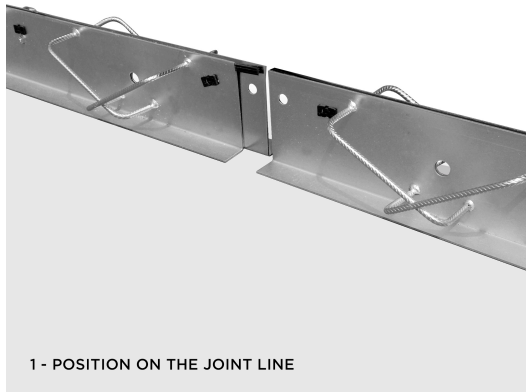


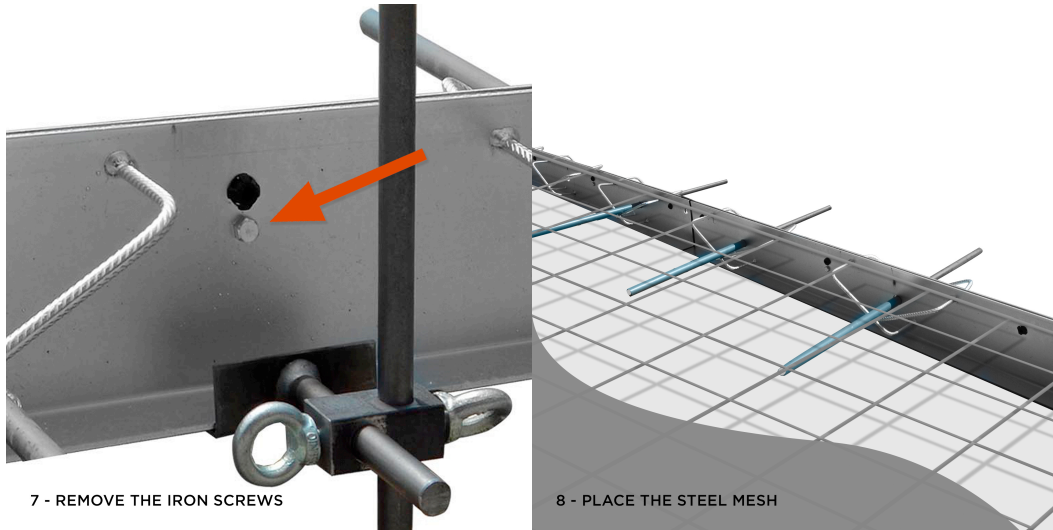
## TYOLOGIES

Isoplam® Construction Joint is available on demand in bars of double metal sheet 3 meters long and of different heights.

They are available galvanised (suitable for external floors) or non-galvanised.

Barrotti Isoplam® bars are supplied with the joint filler and they have variable diameter depending on the height of the joint. They are 75 cm long, except those of 14 mm diameter which are 60 cm long.





**IMPORTANT:**

The product Construction Joint is intended for the use as indicated above. Adding any other product will impair the final result. All information contained herein is based on the best practical experiences and laboratory research. It is the customer's responsibility to determine whether the product is suitable for the intended application. The manufacturer declines all responsibility on the results due to incorrect application of its products. The product shall always be tested on a small area before full scale application. This data sheet replaces all previous data sheets. ISOPLAM reserves the right to change the data on the data sheet at any time. Construction Joint is intended for professional use only. ISOPLAM provides frequent and on demand trainings for its customers. The use of ISOPLAM products without receiving the proper certification will be at the customer's own risk.

